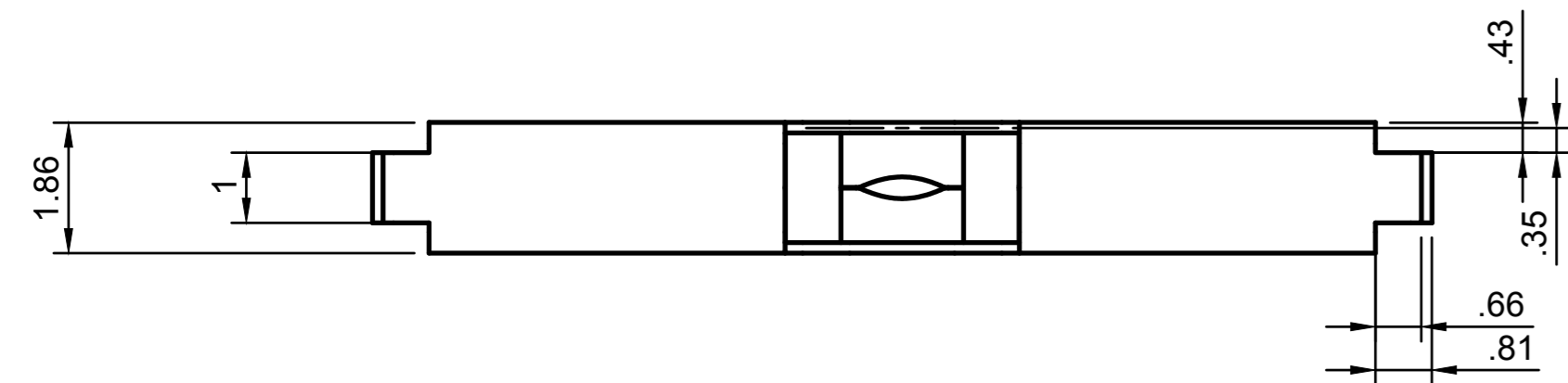
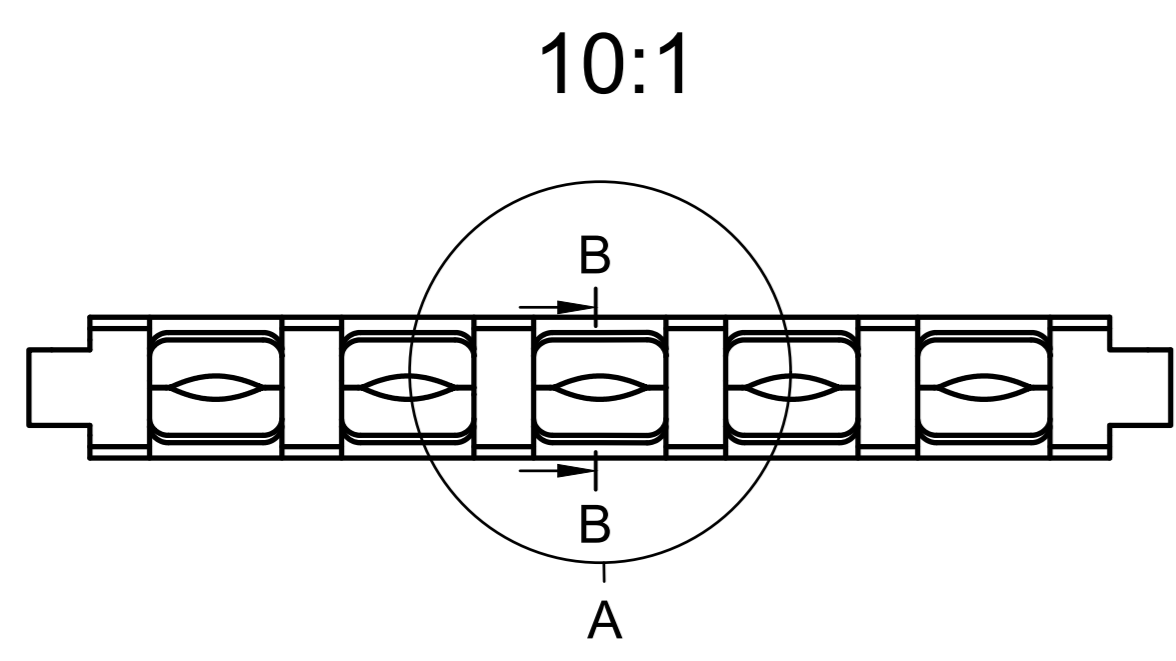
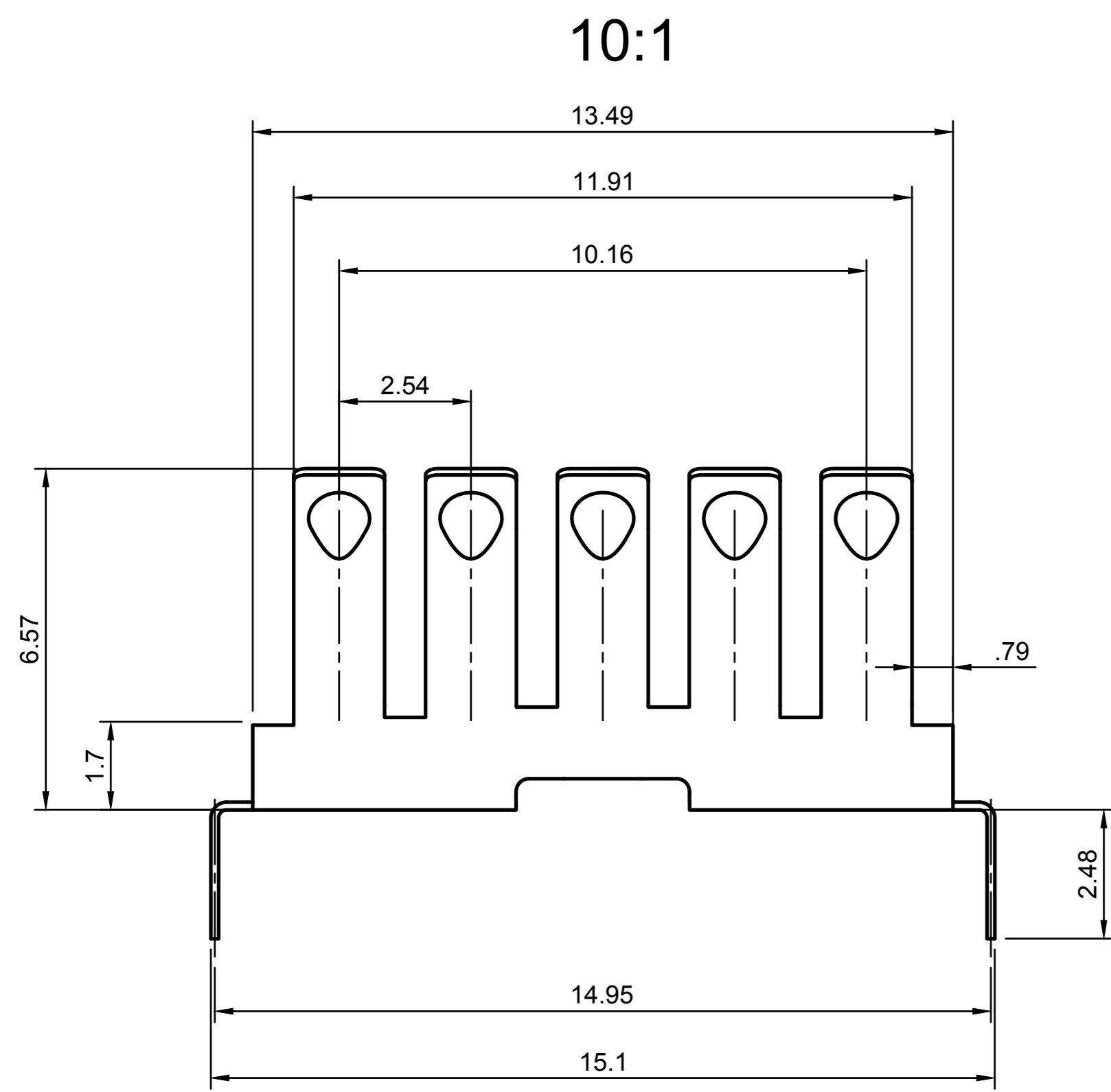
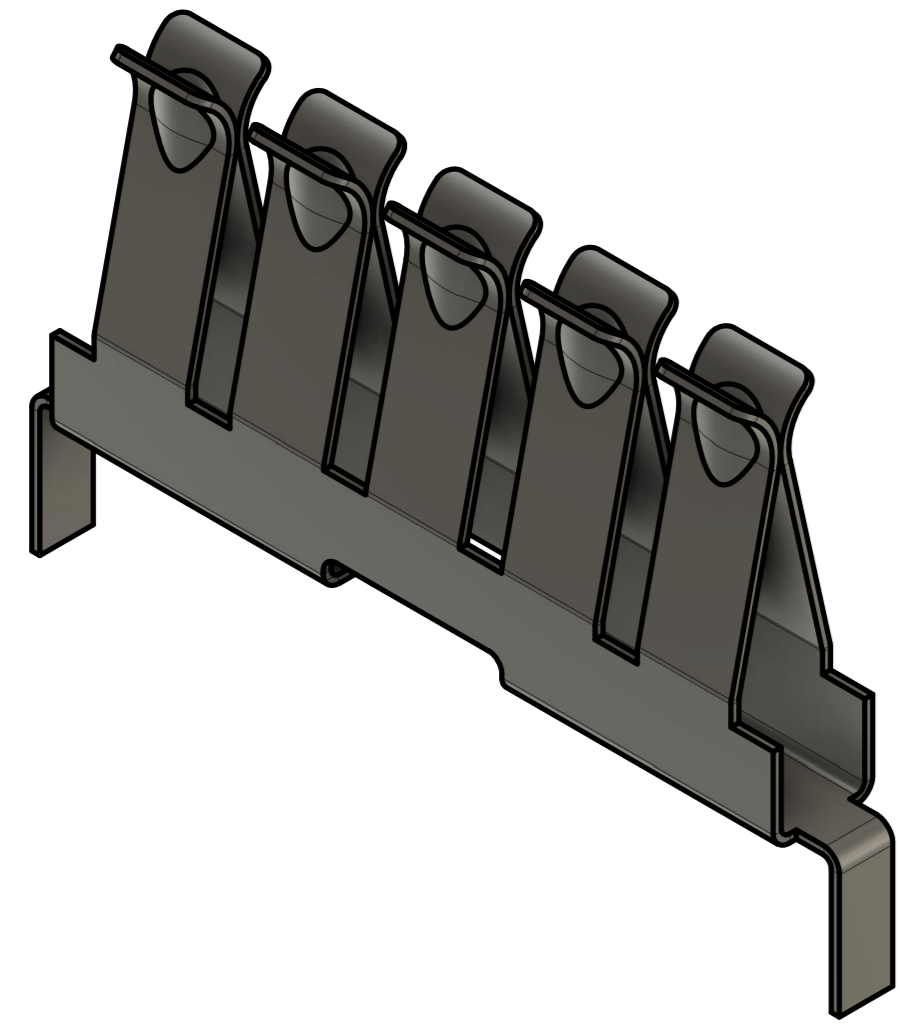
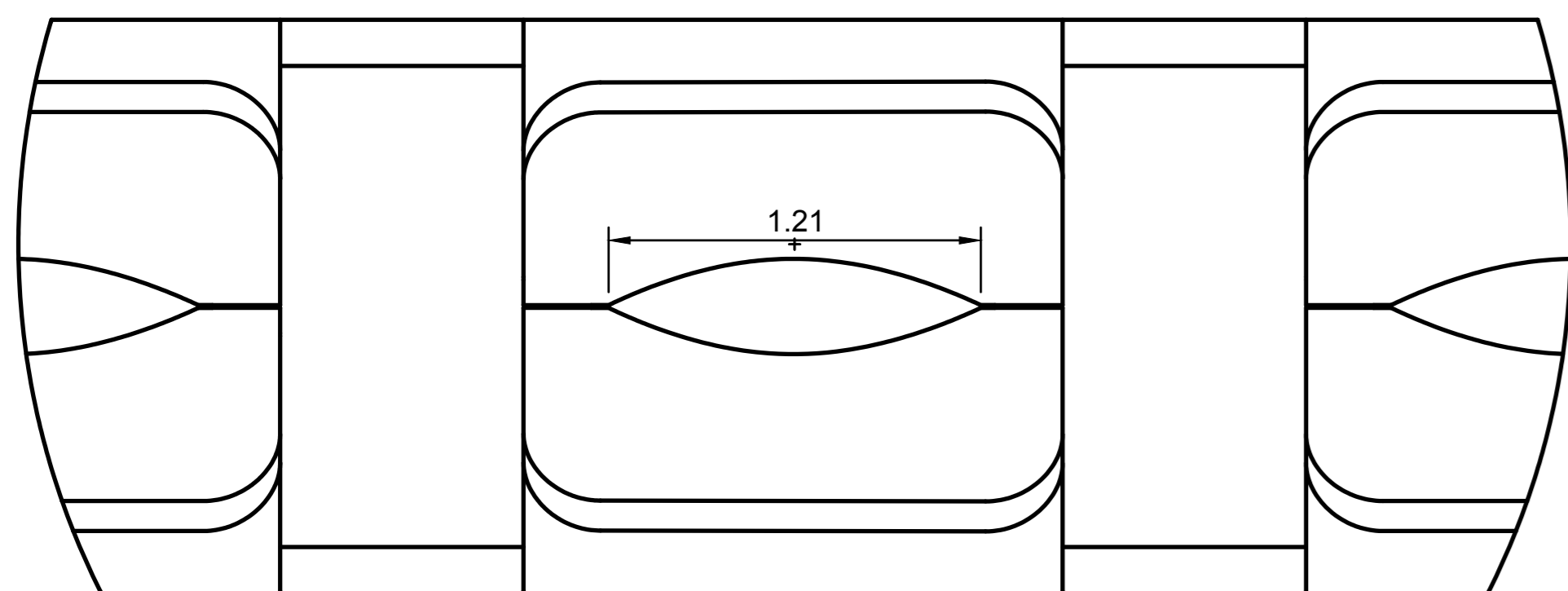


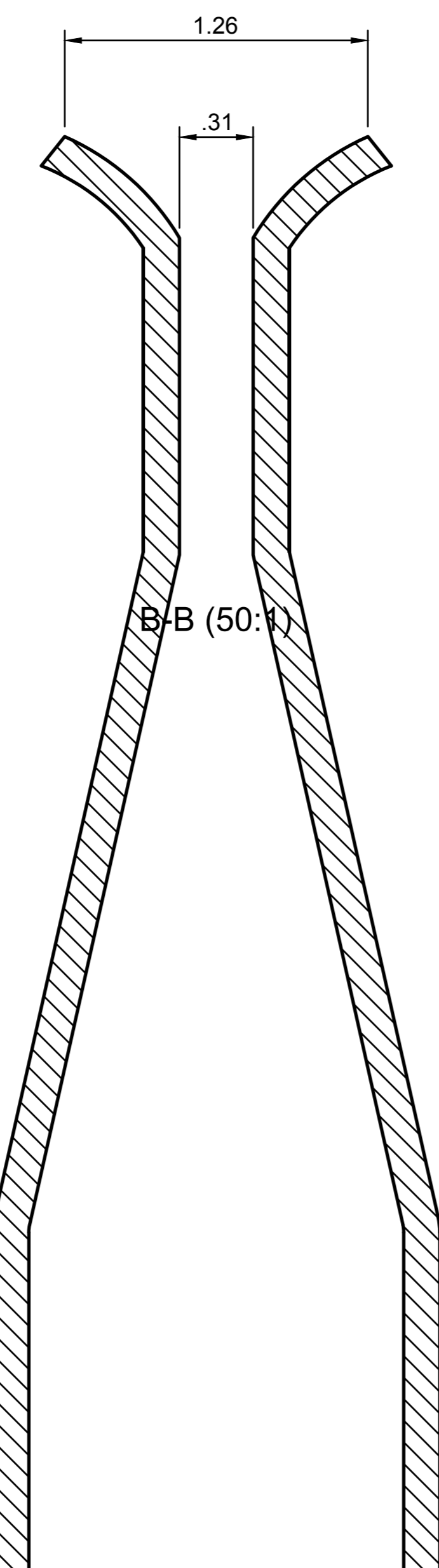
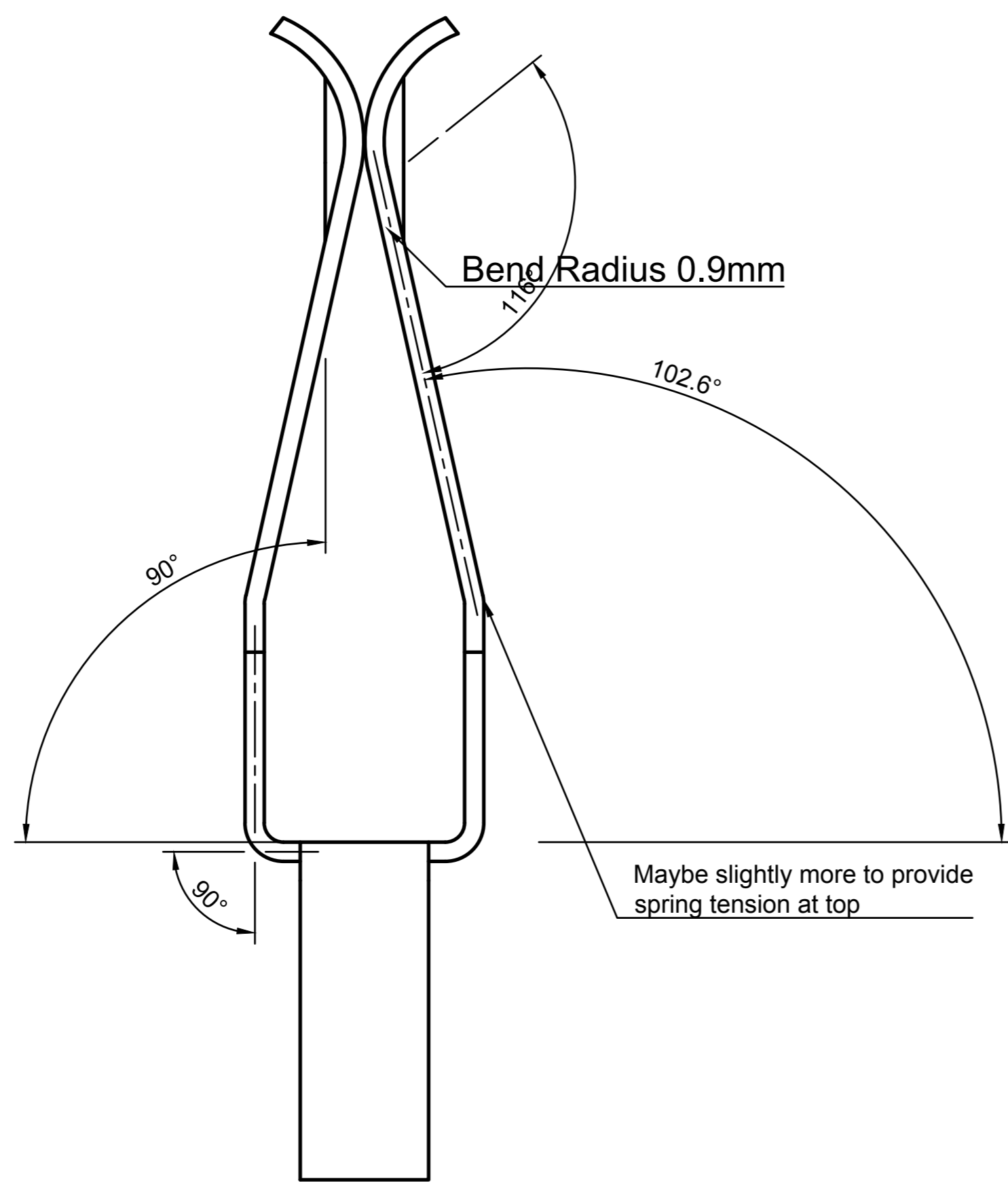
Folded



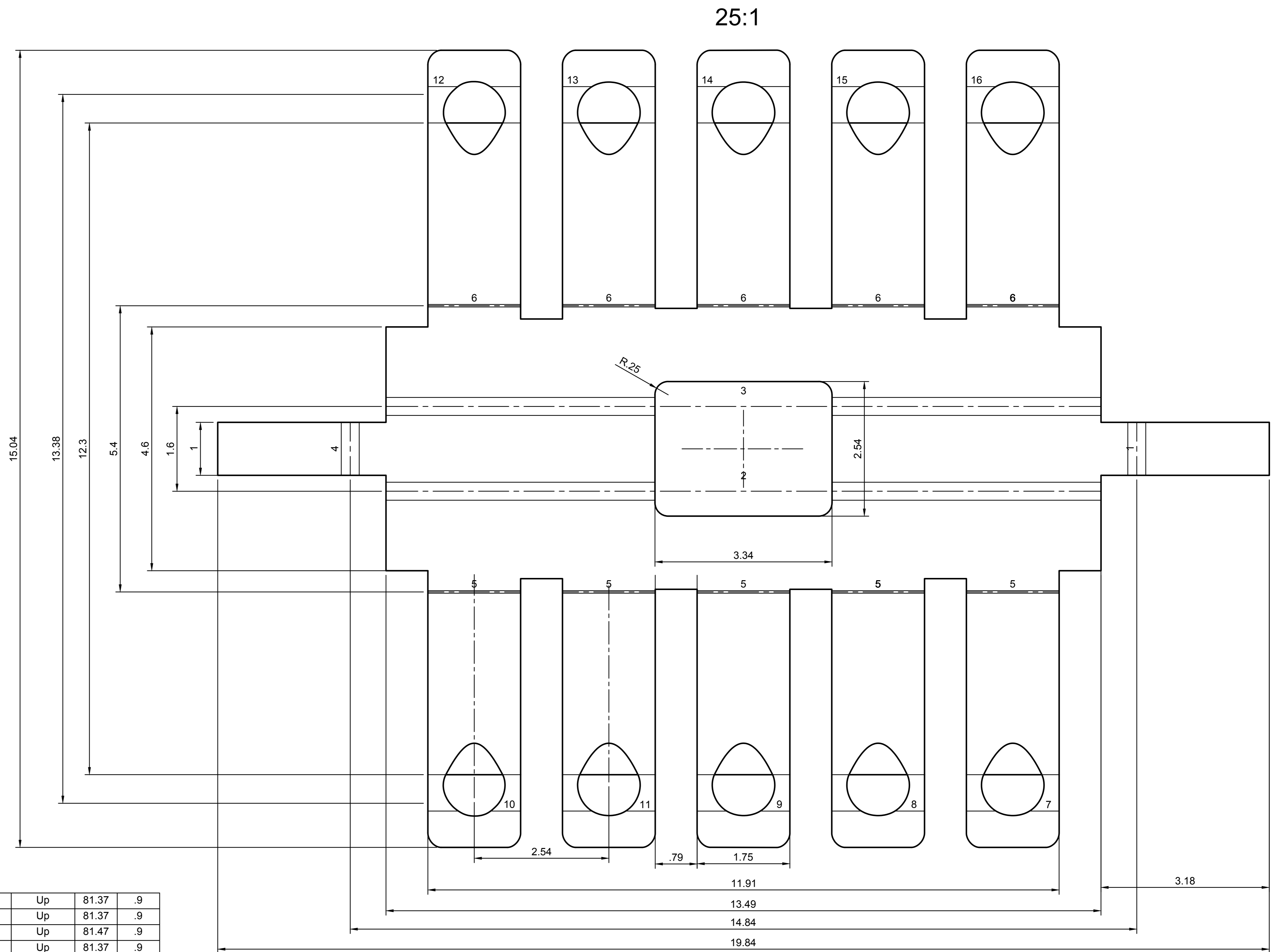
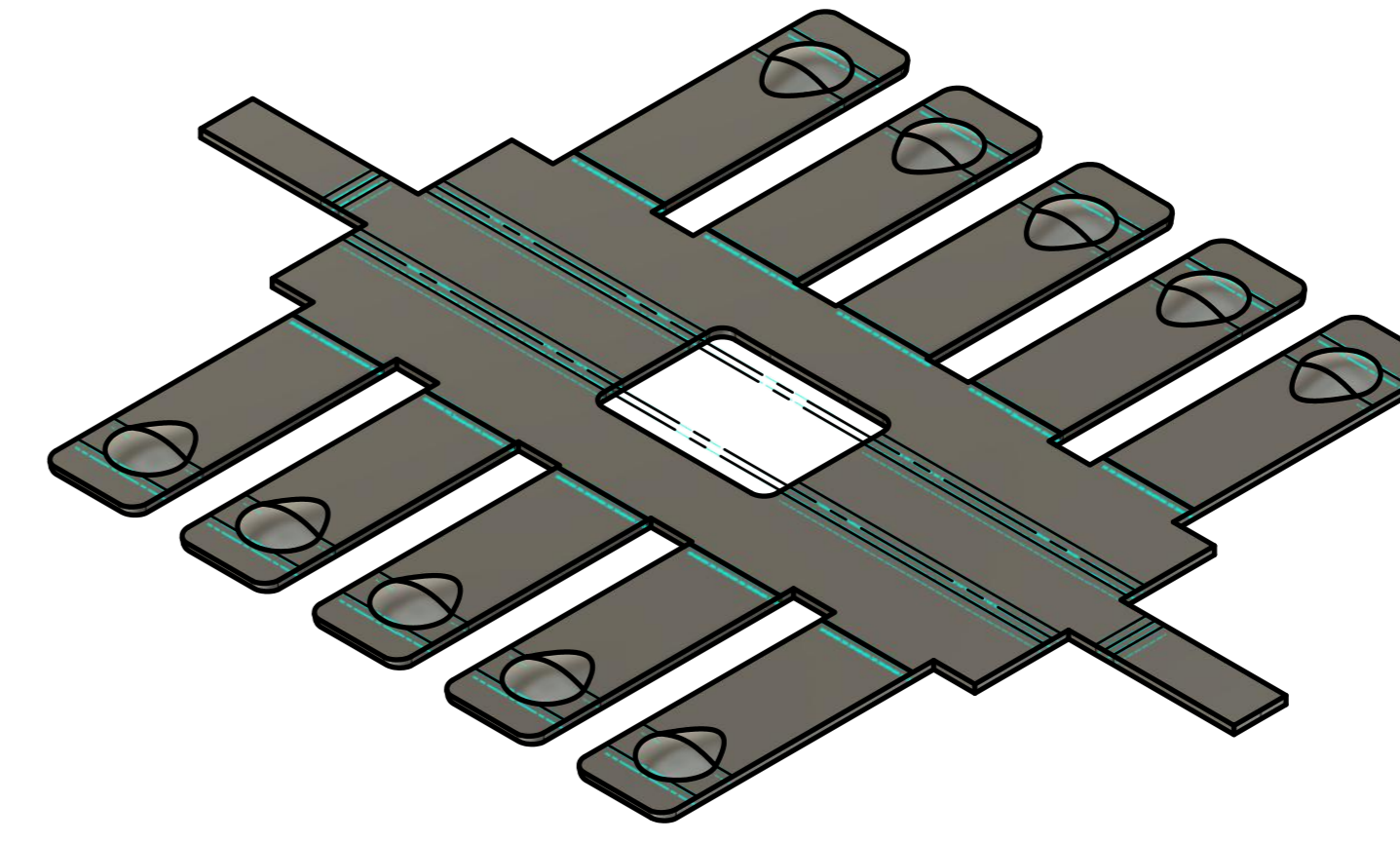
A (50:1)



25:1



Flat Pattern



ID	Direction	Angle	Radius
16	Up	81.37	.9
15	Up	81.37	.9
14	Up	81.47	.9
13	Up	81.37	.9
12	Up	81.37	.9
11	Up	81.37	.9
10	Up	81.37	.9
9	Up	81.47	.9
8	Up	81.37	.9
7	Up	81.37	.9
6	Down	12.6	.15
5	Down	12.6	.15
4	Up	90	.15
3	Down	90	.15
2	Down	90	.15
1	Up	90	.15

Bend Table

Tolerances	
Angle	± 1°
Dimensions	± 0.05mm
Material Thickness	± 0.05mm

Material	
Phosphor Bronze OR Steel	Please quote both
Spring Temper	
Plating not necessary	Let me know if it's suggested
0.15 mm Thickness	
Surface Finish not important	As long as it's electrically conductive and solderable

Other Notes
 The place where the metal fingers meet at the top should have a little bit of tension toward each other. They're electrical contacts for a breadboard, so wire in the range of 0.3mm-1mm should be able to slide in smoothly and make good electrical contact consistently.
 Bend 11 should be increased to provide more tension if the contacts at the top don't squeeze together.

Doc#	Technical reference	Created by Kevin Cappuccio	5/13/23	Approved by
		Document type		Document status
		Title bbSimple		DWG No.
		Rev.	Date of issue	Sheet 1/1